

GSDH-001 Adjustable Drop Hinge

Features

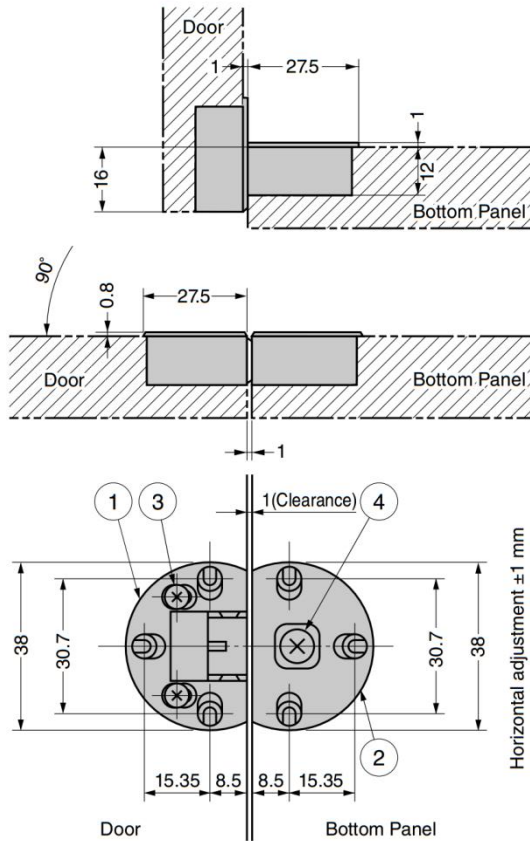
- 3-way adjustment.
- Overlay: 14 ~ 16 mm, Horizontal: ± 1 mm, Door gap: ± 1 mm
- Can be used with soft-down stays **GSDS-100**, **GNSDX-10**
- Bore depth: 12 mm

Notes

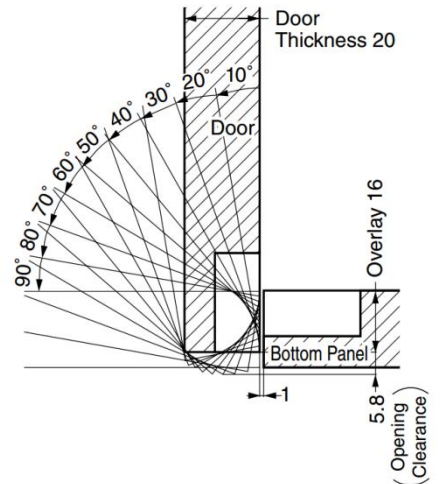
- Recommended screws: Pan head tapping screw 3×13
- Pan head tapping screw 3×13 in black (sold separately) is also available for **GSDH-001BL**, sold in bags (300 pcs per pack)
- Glass door type also available



Outline drawing

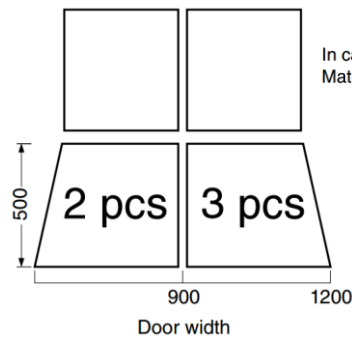


Locus chart

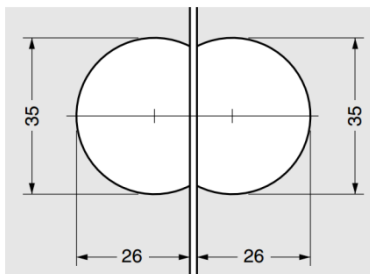


A gap equivalent to opening clearance is required for door opening and closing. Drawing above is door thickness 20 mm, bottom panel thickness 20 mm and 16 mm overlay. The value of opening clearance may change with the door thickness. Please confirm in the locus chart.

No. of Hinges



Cut Out Dimensions



No.	Part Name	Material	Finish
①	Fixing Socket	Zinc Alloy (ZDC)	Nickel /
②	Mounting Plate		Black Enamel Finish
③	Overlay Adjustment Screw	Steel	-
④	Body Fixing Screw	(SWCH)	

Part No.	Material	Finish	Overlay	Door Thickness	Opening Angle
GSDH-001	Zinc Alloy (ZDC)	Nickel	14 ~ 16	16 ~ 20	90°
GSDH-001BL		Black Enamel			